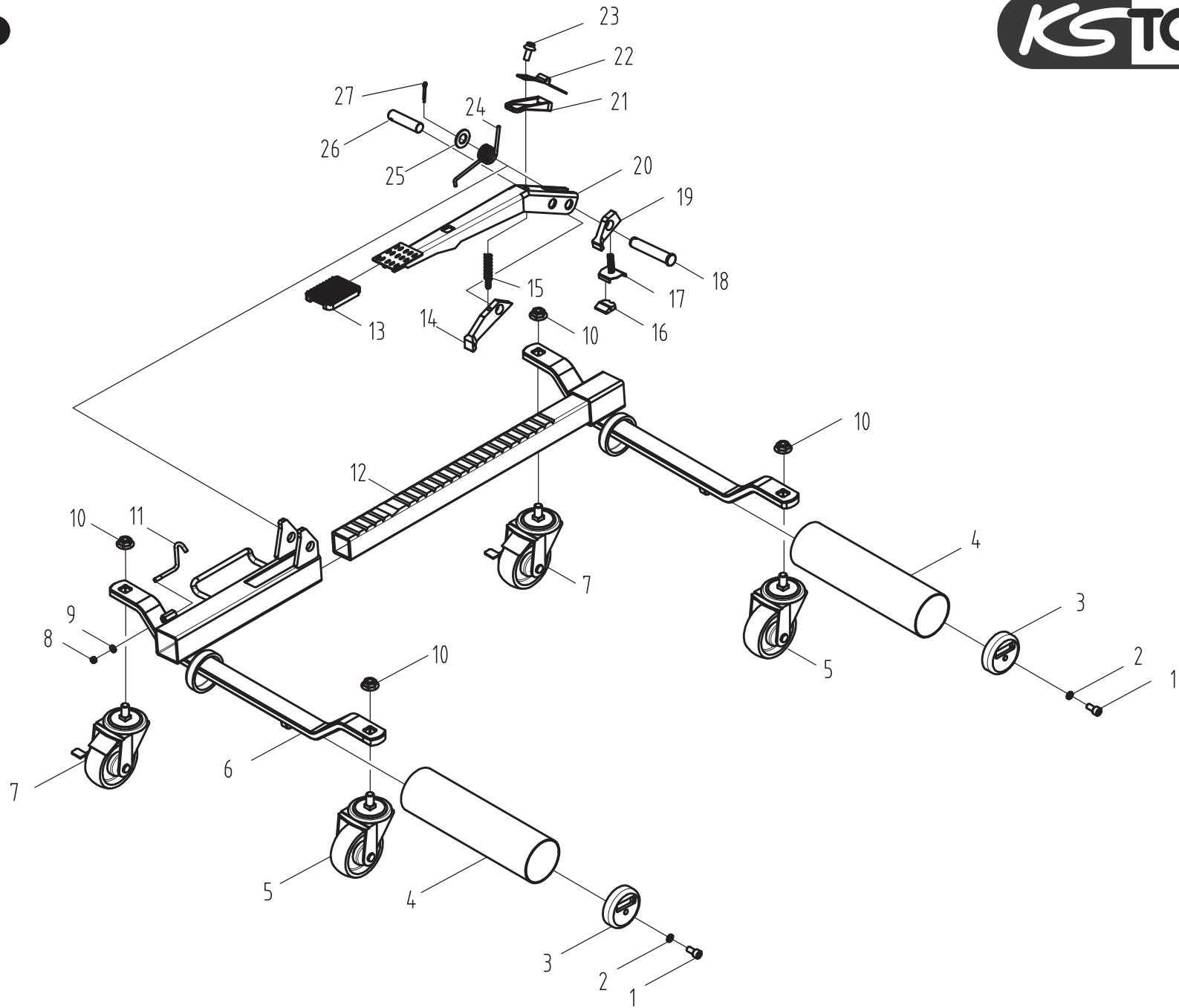


Art. 160.1210



**Art. 160.1210**

Part. No	Art.-Nr.	Beschreibung	Description	Menge Qty.
1	160.1210-R001P	Schraube	Screw	2
2	160.1210-R002P	Unterlegscheibe	Washer	2
3	160.1210-R003P	Führung für Aufnahmerolle	Steel bow	2
4	160.1210-R004P	Aufnahmerolle	Roller	2
5	160.1210-R005P	Lenkrolle	Swivel Caster A	2
6	160.1210-R006P	Äußerer Rahmen	Outer tube Assembly	1
7	160.1210-R007P	Lenkrolle mit Feststellbremse	Swivel Caster B	2
8	160.1210-R008P	Mutter	Nut	1
9	160.1210-R009P	O-Ring	O-Ring	1
10	160.1210-R010P	Mutter	Nut	4
11	160.1210-R011P	Hacken	Pedal Lock	1
12	160.1210-R012P	Innerer Rahmen	Inter tube Assembly	1
13	160.1210-R013P	Gummiteller	Rubber Pad	1
14	160.1210-R014P	Vordere Klaue	Front Pawl	1

Part. No	Art.-Nr.	Beschreibung	Description	Menge Qty.
15	160.1210-R015P	Feder	Spring B	1
16	160.1210-R016P	Hebel	Lever	1
17	160.1210-R017P	Nietplatte	Riveting Plate	1
18	160.1210-R018P	Bolzen	Pin	1
19	160.1210-R019P	Hintere Klaue	Back Paw	1
20	160.1210-R020P	Fusspedal	Foot Pedal	1
21	160.1210-R021P	Hebel	Lever	1
22	160.1210-R022P	Pressplatte	Press Plate	1
23	160.1210-R023P	Schraube	Screw	1
24	160.1210-R024P	Torsionsfeder	Torsjon spring	1
25	160.1210-R025P	Unterlegscheibe	Washer	1
26	160.1210-R026P	Bolzen	Pin	1
27	160.1210-R027P	Bolzen	Pin	1